



# ALUMINUM ANODE SLED

PRODUCT DATA SHEET

# ALUMINUM ANODE SLED

Aluminum anodes are used to prevent corrosion of metal structures in seawater and brackish water. This pyramid aluminum anode is designed for replacing depleted anodes on mature offshore assets. It can be quickly installed by lowering it onto the sea floor. The speedy installation makes it incredibly cost-effective in comparison to underwater welding or other methods of attachment. Thus, our anode sled is ideal for anode retrofit projects of subsea equipment and platforms.

## CHEMICAL COMPOSITION

### ■ GALVALUM III (Al-Zn-In-Si)

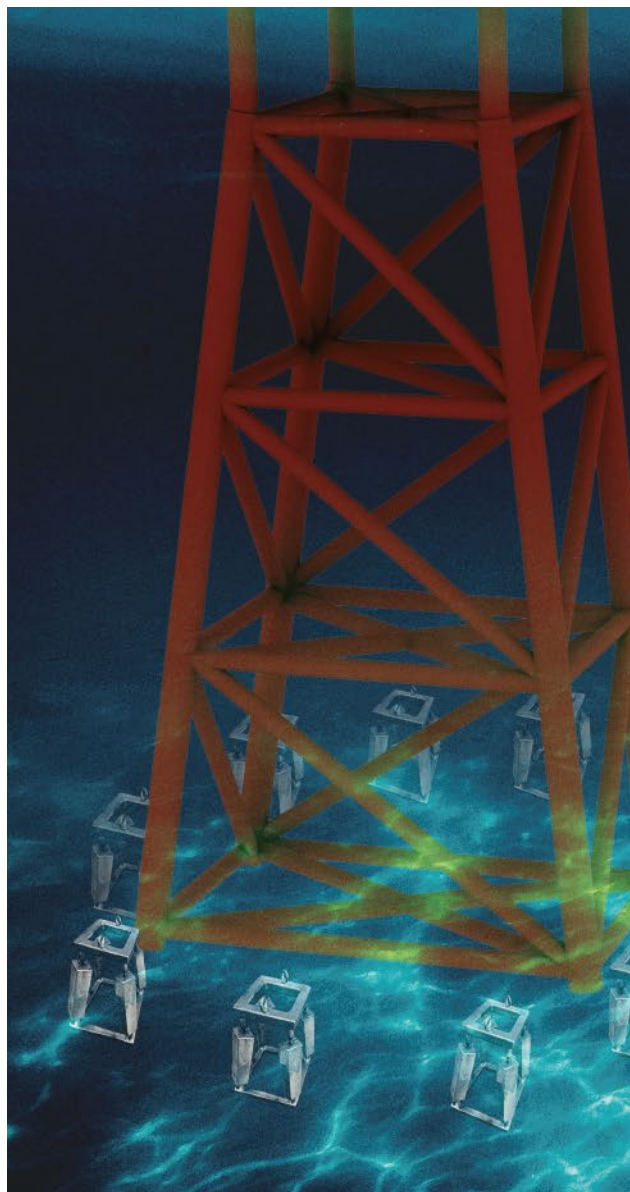
Element		Content (%)
Zinc	(Zn)	2.000 ~ 6.000
Indium	(In)	0.010 ~ 0.020
Silicon	(Si)	0.080 ~ 0.200
Iron	(Fe)	0.130 max.
Copper	(Cu)	0.006 max.
Cadmium	(Cd)	—
Other Impurities		0.100 max.
Aluminum	(Al)	Remainder

### ■ DNV-RP-B401-2011 (Al-Zn-In)

Element		Content (%)
Zinc	(Zn)	2.500 ~ 5.750
Indium	(In)	0.015 ~ 0.040
Silicon	(Si)	0.120 max.
Iron	(Fe)	0.090 max.
Copper	(Cu)	0.003 max.
Cadmium	(Cd)	0.002 max.
Other Impurities		0.100 max.
Aluminum	(Al)	Remainder

### ■ GS EP COR 201 (Al-Zn-In)

Element		Content (%)
Zinc	(Zn)	4.750 ~ 5.750
Indium	(In)	0.015 ~ 0.020
Silicon	(Si)	0.060 ~ 0.120
Iron	(Fe)	0.120 max.
Copper	(Cu)	0.003 max.
Cadmium	(Cd)	0.002 max.
Other Impurities		0.100 max.
Aluminum	(Al)	Remainder



## ELECTROCHEMICAL PROPERTIES

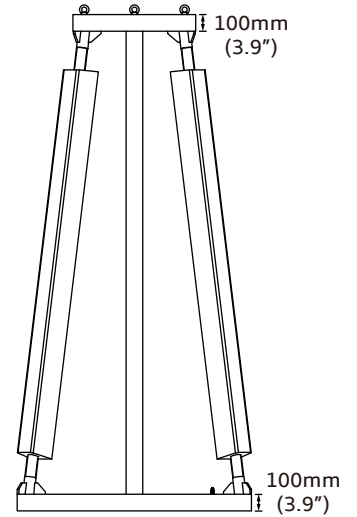
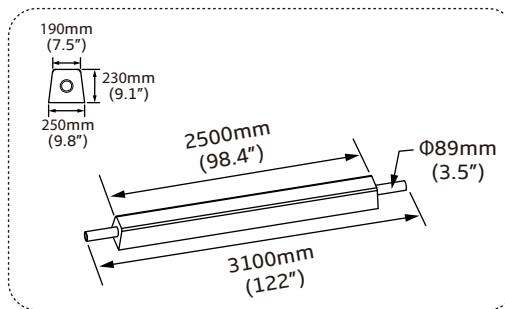
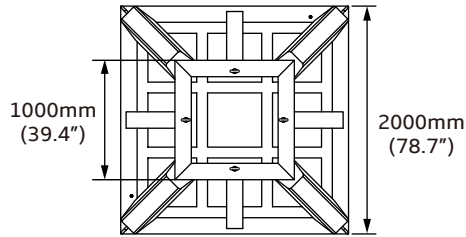
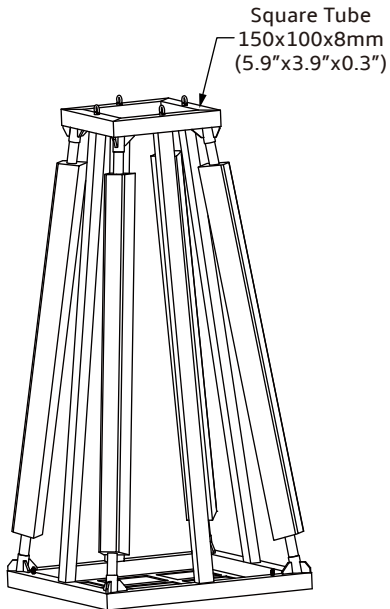
Technical Measurement	Performance
Open Circuit Voltage (min)	-1.10 Volts
Closed Circuit Voltage (min)	-1.05 Volts
Current Capacity	2500 A.h/kg (1135 A.h/lbs)
Current Efficiency (min)	90%
Consumption Rate	3.4 kg/A.y (7.6 lbs/A.y)

\* The open/closed circuit voltage is with respect to a Ag/AgCl reference electrode.



# ALUMINUM ANODE SLED

## SPECIFICATIONS





## Industrial Corrosion Control Solutions Provider

---

Established in 2003, YUXI has over a 20-year heritage of innovation in corrosion control science and technology. We're a spirited team of ambitious thinkers and pioneer sheep with a common goal in mind: protect our clients' assets from corrosion with cost-saving measures.

We have the most comprehensive catalog of cathodic protection materials including anodes, transformer rectifiers, backfills, coatings, etc. Our anodes and supplies are manufactured to strict quality standards through an ISO 9001 quality management system and are guaranteed to offer excellent performance in the industry.



Go to Our Web



Follow Us on LinkedIn



[www.yuxi-anode.com](http://www.yuxi-anode.com)

6/F, Tianlu Building, 767 Liangzhu Road,  
Ningbo 315000, P.R. China

**E-mail:** [info@yuxi-anode.com](mailto:info@yuxi-anode.com)

**Tel:** +86 (574) 8388 2233

**Fax:** +86 (574) 8388 2238