

HEAT TREATER ALUMINUM ANODE BALL

PRODUCT DATA SHEET

HEAT TREATER ALUMINUM ANODE BALL

This aluminum anode ball is a compact easily replaced sacrificial anode which is installed in heat treaters, pressure vessels and other production vessels. It works optimally at relatively high temperatures and low chloride saltwater or freshwater environments.

CHEMICAL COMPOSITION

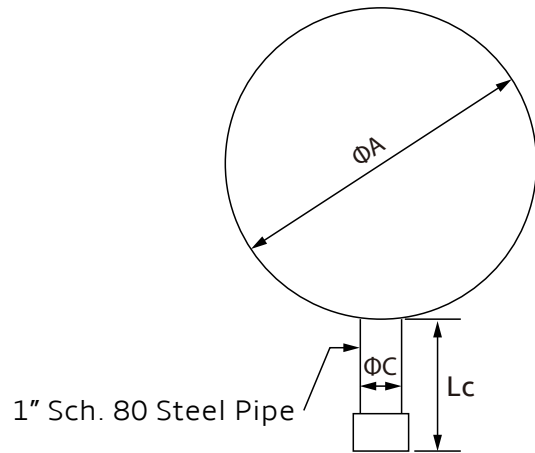
| Element | | Content (%) |
|------------------|------|---------------|
| Zinc | (Zn) | 2.000 ~ 6.000 |
| Indium | (In) | 0.010 ~ 0.020 |
| Silicon | (Si) | 0.080 ~ 0.200 |
| Iron | (Fe) | 0.130 max. |
| Copper | (Cu) | 0.006 max. |
| Cadmium | (Cd) | — |
| Other Impurities | | 0.100 max. |
| Aluminum | (Al) | Remainder |



ELECTROCHEMICAL PROPERTIES

| Technical Measurement | Performance |
|------------------------------|----------------------------|
| Open Circuit Voltage (min) | -1.10 Volts |
| Closed Circuit Voltage (min) | -1.05 Volts |
| Current Capacity | 2500 A.h/kg (1135 A.h/lbs) |
| Current Efficiency (min) | 90% |
| Consumption Rate | 3.4 kg/A.y (7.6 lbs/A.y) |

* The open/closed circuit voltage is with respect to a Ag/AgCl reference electrode.



SPECIFICATIONS

| Item No. | Ball Diameter (ΦA) | Core Size (ΦC) | Extended Length(Lc) | NPT | Net Weight | Gross Weight |
|-----------|--------------------|----------------|---------------------|-----|-------------------|-------------------|
| YX-AL-B47 | 250mm (9.84") | 34mm (1.3") | 102mm (4.0") | 1" | 21.7kg (47.8 lbs) | 22.5kg (49.5 lbs) |

Note: All dimensions and weights shown above are nominal. The information provided is subject to change without notice.





Industrial Corrosion Control Solutions Provider

Established in 2003, YUXI has over a 20-year heritage of innovation in corrosion control science and technology. We're a spirited team of ambitious thinkers and pioneer sheep with a common goal in mind: protect our clients' assets from corrosion with cost-saving measures.

We have the most comprehensive catalog of cathodic protection materials including anodes, transformer rectifiers, backfills, coatings, etc. Our anodes and supplies are manufactured to strict quality standards through an ISO 9001 quality management system and are guaranteed to offer excellent performance in the industry.



Go to Our Web



Follow Us on LinkedIn



www.yuxi-anode.com

6/F, Tianlu Building, 767 Liangzhu Road,
Ningbo 315000, P.R. China

E-mail: info@yuxi-anode.com

Tel: +86 (574) 8388 2233

Fax: +86 (574) 8388 2238