



# PRE-PACKAGED ZINC ANODE

PRODUCT DATA SHEET

# PRE-PACKAGED ZINC ANODE

Our packaged zinc anode is mainly composed of a cast zinc anode centrally packed in a permeable cotton bag or cardboard tube with highly hygroscopic backfill mixture. This type of zinc anodes are recommended for use in soils with resistivities below 1000 ohm-cm.

Because zinc anodes have a lower driving potential than magnesium, our pre-packaged zinc anodes are the most effective method of mitigating corrosion on well coated metallic structures requiring minimal current output. They are popularly used as grounding cells on electrical equipment (such as power stations, transmission line towers, etc.) and across insulators on pipelines to limit high voltages.



## CHEMICAL COMPOSITION

Our zinc anodes are made from 99.99% pure special high grade zinc alloy, which strictly conforms to ASTM - B418 Type II standard.

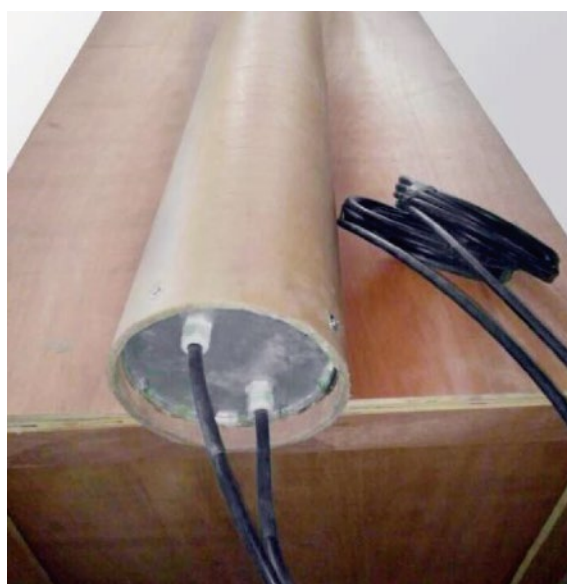
Element		Content (%)
Aluminum	(Al)	0.005 max.
Lead	(Pb)	0.003 max.
Iron	(Fe)	0.0014 max.
Copper	(Cu)	0.002 max.
Cadmium	(Cd)	0.003 max.
Other Impurities		0.100 max.
Zinc	(Zn)	Remainder



## ELECTROCHEMICAL PROPERTIES

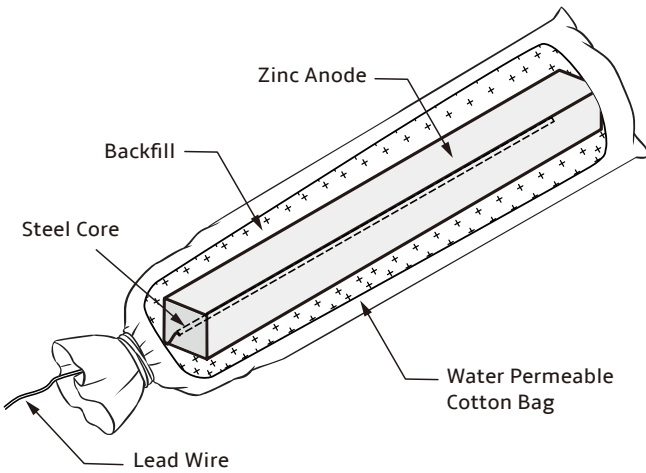
Technical Measurement	Performance
Open Circuit Voltage (min.)	-1.10 Volts
Closed Circuit Voltage (min.)	-1.05 Volts
Current Capacity	740 A.h/kg(335 A.h/lbs)
Current Efficiency	90%
Consumption Rate	11.9 kg/A.y(26.2 lbs/A.y)

\* The open/closed circuit voltage is with respect to a copper sulfate reference electrode.

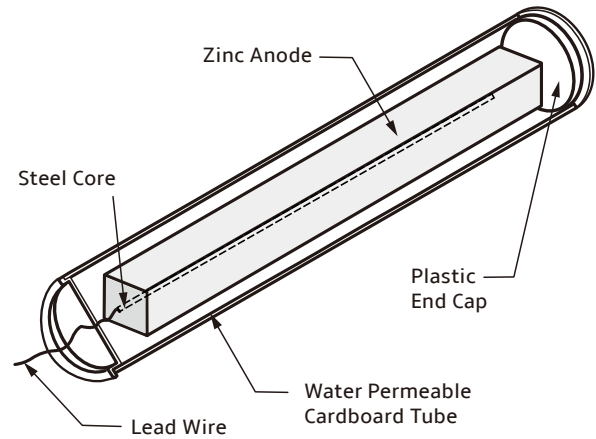


# PRE-PACKAGED ZINC ANODE

## ■ Anode Packed in Cotton Bag



## ■ Anode Packed in Cardboard Tube



### Environment-friendly Backfill

Our backfill is prepared with the following naturally degradable and recyclable materials according to a certain weight ratio:

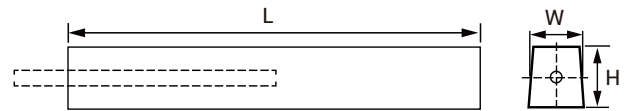
- Hydrated Gypsum: 75%
- Bentonite: 20%
- Sodium Sulphate: 5%

The content of harmful elements in the backfill is lower than industrial safety standards, which will not bring any pollution to the surroundings.

- Cadmium  $\leq 1$  ppm
- Arsenicum  $\leq 1$  ppm
- Mercury  $\leq 1$  ppm
- Phosphorus  $\leq 10$  ppm

### Multiple Lead Cable Options

Our anode is assembled with 10 meter 10 mm<sup>2</sup> XLPE/PVC stranded copper wire as standard. HMWPE, PVC/PVC, TW or THHN/THWN cable can also be supplied with customized sizes, lengths and colors upon request. The cable can be connected by direct brazing, mechanical or welding to ensure high pull strength and low connection resistance.



## SPECIFICATIONS

### ■ Single Anode Unit



Item No.	Width	Height	Length	Anode Weight	Packaged Dimensions	Packaged Weight
YX-ZC-S1	35mm (1.4")	35mm (1.4")	1524mm (60")	13.6kg (30 lbs)	Φ127x1750mm (Φ5" x 69")	38kg (84 lbs)
YX-ZC-S2	51mm (2.0")	51mm (2.0")	1524mm (60")	27.3kg (60 lbs)	Φ150x1750mm (Φ6" x 69")	58kg (128 lbs)

### ■ Dual Anode Unit



Item No.	Width	Height	Length	Anode Weight	Packaged Dimensions	Packaged Weight
YX-ZC-D1	35mm (1.4")	35mm (1.4")	1524mm (60")	27.2kg (60 lbs)	Φ140x1650mm (Φ5.5" x 65")	53kg (116.8 lbs)
YX-ZC-D2	51mm (2.0")	51mm (2.0")	1524mm (60")	54.6kg (120 lbs)	Φ175x1650mm (Φ6.9" x 65")	92kg (202.8 lbs)

Note: All dimensions and weights shown above are nominal. The information provided is subject to change without notice.







## Industrial Corrosion Control Solutions Provider

---

Established in 2003, YUXI has over a 20-year heritage of innovation in corrosion control science and technology. We're a spirited team of ambitious thinkers and pioneer sheep with a common goal in mind: protect our clients' assets from corrosion with cost-saving measures.

We have the most comprehensive catalog of cathodic protection materials including anodes, transformer rectifiers, backfills, coatings, etc. Our anodes and supplies are manufactured to strict quality standards through an ISO 9001 quality management system and are guaranteed to offer excellent performance in the industry.



Go to Our Web



Follow Us on LinkedIn



[www.yuxi-anode.com](http://www.yuxi-anode.com)

6/F, Tianlu Building, 767 Liangzhu Road,  
Ningbo 315000, P.R. China

**E-mail:** [info@yuxi-anode.com](mailto:info@yuxi-anode.com)

**Tel:** +86 (574) 8388 2233

**Fax:** +86 (574) 8388 2238