



Shunt & Resistor Junction Box

YUXI manufacture a serious type of junction box required for a cathodic protection system. Our junction box is designed to use reliably for onshore and marine environments in safe and hazardous areas, it is typically meet NEMA 4X or IP66 protection grade, and we can also manufacture explosion-proof junction box upon on request, the enclosure including sheet steel, stainless steel, cast aluminum and other non-metallic materials. The configuration of internal circuit can include connections, meters, shunts, resistors, remote monitoring, and other electronic parts. All junction boxes can be available with or without support frame, conduits, pipes. We can also offer custom junction box that is made according to design specifications.

Office: +86(574)8388 2233

Dongxi, Xinqiao, Xiangshan
Ningbo 315725, P.R.China

info@yuxi-anode.com

www.yuxi-anode.com

Enclosures

- ▶ Galvanized Steel
- ▶ Painted Steel
- ▶ Stainless Steel
- ▶ Cast Aluminum
- ▶ Fiberglass
- ▶ Non-Metallic

Customized Junction Box

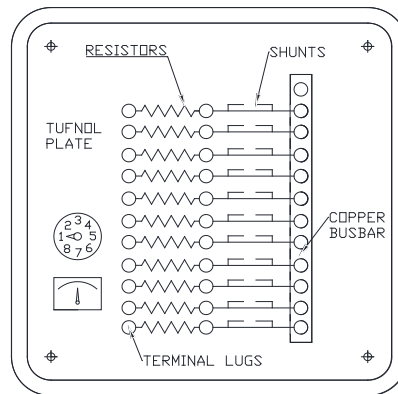
YUXI custom junction boxes are available with all the common electrical cabinet materials including steel, stainless steel, and non-metallic materials. The cabinets can be selected to meet non-hazardous or hazardous areas, and the internal components can be assembled as per design specification.

SPECIFICATIONS

Enclosure	Galvanize Steel, Painted Steel Stainless Steel, Cast Aluminum Fiberglass, Non-Metallic
Dimensions	300x200x150mm, 400x300x150mm 500x400x150mm, 600x400x150mm 700x600x150mm, 800x600x150mm Customized size available upon on request
Finish	Polished
Cooling	Natural Air
Grade of Protection	IP66, NEMA 4X/ Explosion Proof
Classification	Non Hazardous / Hazardous
Mounting Type	Wall / Stand-off Mounted with SS full bolts, nuts & washers
Internal Components	Lugs, Shunts, Resistors, Select Switch, Ammeter
Door	Hinged on left side
Security	Lockable door
Internal Terminal	Anode lead M10 ST grade 316L / Brass terminals c/w lock nuts, washers Power feed lead M5 ST grade 316L / Brass terminals c/w lock nuts, washers
Identification	Tag plates and Name plate supplied with SS316L with screw sets
Ambiant Temperature	Up to 55 Degree Centigrade
Climate	Onshore or Marine corrosive environment
Humidity	95% at 43 Degree Centigrade
Cable Entry	One / two nos. of conduits with hubs or cable glands
Documentation	Drawing, Certificate of Conformity, Factory Acceptance Report

Shunt & Resistor Junction Box

Resistance values of anodes on any given impressed current cathodic protection system are often different due to varying lead wire length and electrolyte conditions. This type of junction box assembled with shunts and resistors in order to compensate these different resistance levels and also ensure uniform current output. The shunt is pre-calibrated and resistor is adjustable type, an option of select switch and ammeter is also available for your easy operation.



Enclosure	requested
Protection Grade	Non Hazardous or Explosion-Proof
Number of Circuits	requested
Anode Lead Lug size	requested
Power Feed Lug Size	requested
Shunt	Amps required
Resistor	Amps and Watts required
Select Switch and Ammeter	Required / Not Required
Type of Entry	Conduit or Cable gland