



## Splicing Kit

YUXI epoxy bonding tool is suitable for anti-corrosive insulation of cable joints formed by secondary connection of cables in cathodic protection. The junction box is made of polycarbonate material injection molding technology, which has the characteristics of acid resistance, alkali resistance and anti-aging function. It is divided into two specifications and can be installed with a maximum of 70mm<sup>2</sup> single cable. The sealing filler filled inside is epoxy resin, which also has excellent acid and alkali resistance, and can effectively ensure the corrosion resistance and sealing performance of the cable joint. The kit contains filled epoxy, an auxiliary installation tool, and can be used on site for unpacking.

The use of this product on site has the following advantages:

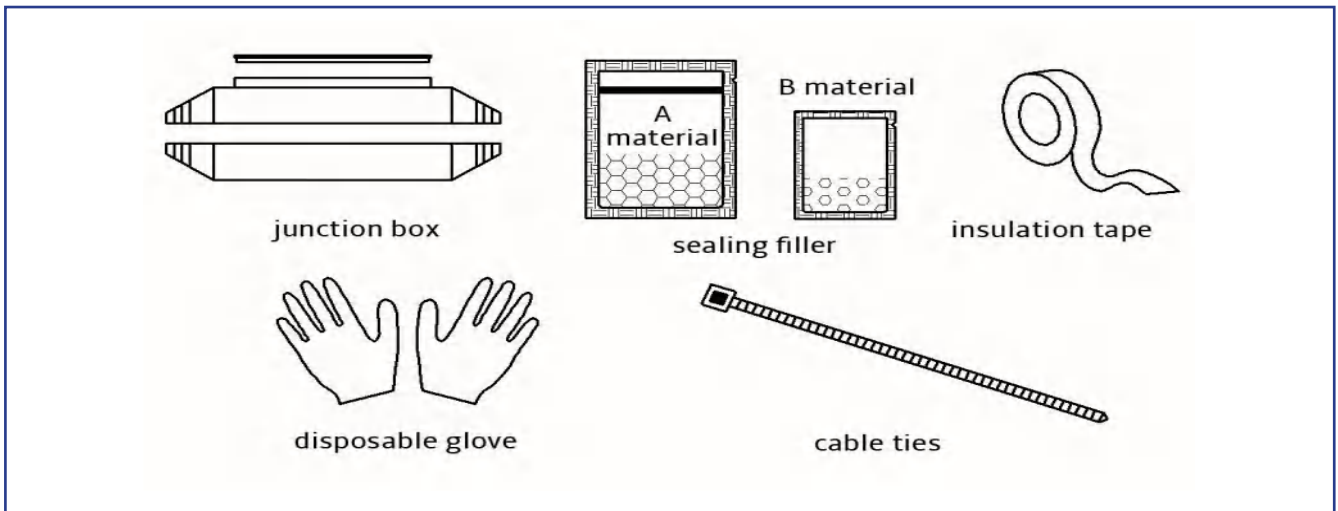
- ① No need to calculate and weigh the resin at the site, you can operate according to the installation diagram;
- ② After filling, there is no need to wait for curing to directly backfill, reducing the waiting time for curing.

Office: +86(574)8388 2233

Dongxi, Xinqiao, Xiangshan  
Ningbo 315725, P.R.China

info@yuxi-anode.com

www.yuxi-anode.com



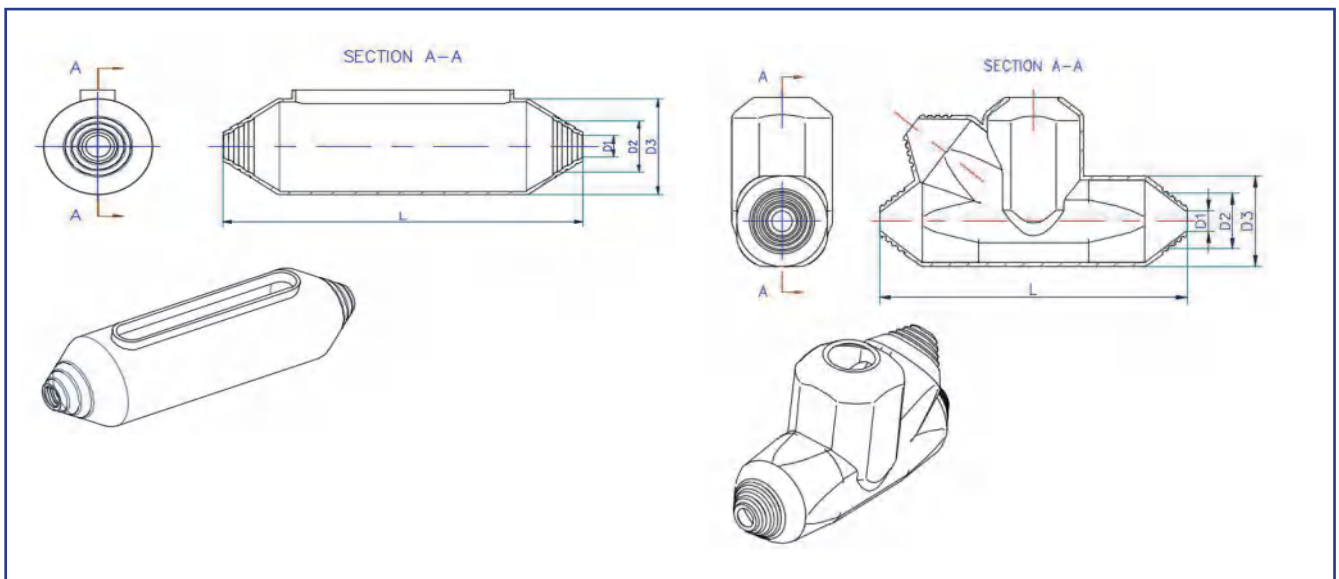
Junction Box	1pc
Sealing Filler A	270g
Sealing Filler B	65g
Insulation Tape	1coil
Cable Ties	2pcs
Disposable Glove	1pair
Instruction	1pc

## PHYSICAL PROPERTIES AFTER CURING

Characteristics	Unit	Value
Compressive Strength	kg/mm <sup>2</sup>	24
Bending Strength	kg/mm <sup>2</sup>	11
Tensile Strength	kg/mm <sup>2</sup>	16.5
Impact Strength	kg/mm <sup>2</sup> /cm <sup>2</sup>	8.5

Hardness	Shore D	≥82
Distortion Temperature	°C	100
Volume Resistance 25°C	Ohm-cm	$1.35 \times 10^{15}$
Surface Resistance 25°C	Ohm	$1.2 \times 10^{14}$
Electric Voltage Resistance 25°C	Kv/mm	16-18

## SPECIFICATIONS



Type	Cable Extraction Number	Maximum Cable Square	L(mm)	D1(mm)	D2(mm)	D3(mm)
YXHY-2	2pcs	70mm <sup>2</sup>	146	Φ10	Φ24	Φ44
YXHY-3	3pcs	70mm <sup>2</sup>	150	Φ10	Φ24	Φ44