



Test Station / Post

Measurement of potential between buried structure and a reference electrode is the most frequent test performed in operation of a cathodic protection system. Test station is a simple method to monitoring this potential in order to ensure that adequate current is supplied to buried metallic structures.

YUXI produce a range of test stations with numerous colors, shapes and test lead configurations, and they can be made from high impact strength molded plastic, cast iron and concrete as well. Most of the time, the test stations are installed in wild field. Therefore its reliability and maintenance is very critical to a complete cathodic protection system. Our test termination is composed of corrosion resistant nickel plated brass lugs to guarantee long term accurate reading, and all parts is easy to be removed with standard replacement.

Office: +86(574)8388 2233

Dongxi, Xinqiao, Xiangshan
Ningbo 315725, P.R.China

info@yuxi-anode.com

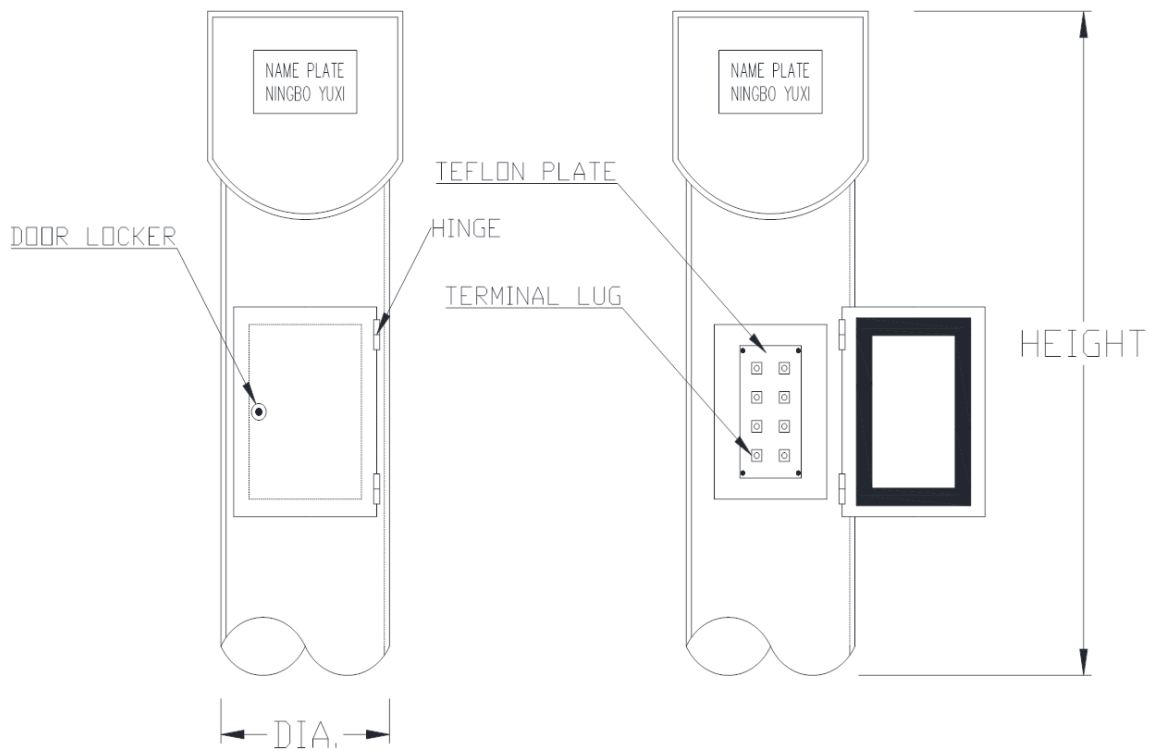
www.yuxi-anode.com

GENERAL SPECIFICATION

Material	Cast Iron, Sheet Steel, Concrete, Molded Plastic
Number of Terminals	5-10 nos
Conduit	1500-2000mm
Color	Black, Orange, Blue, Gray
Locking Device	Available on Cast Iron and Concrete Type
Identification	Tag Plates and Name Plate Supplied with SS316L with Screw Sets
Ambiant Temperature	Up to 55 Degree Centigrade
Climate	Onshore Corrosive Environment
Humidity	95% at 43 Degree Centigrade
Documentation	Drawing, Certificate of Conformity Factory Acceptance Report

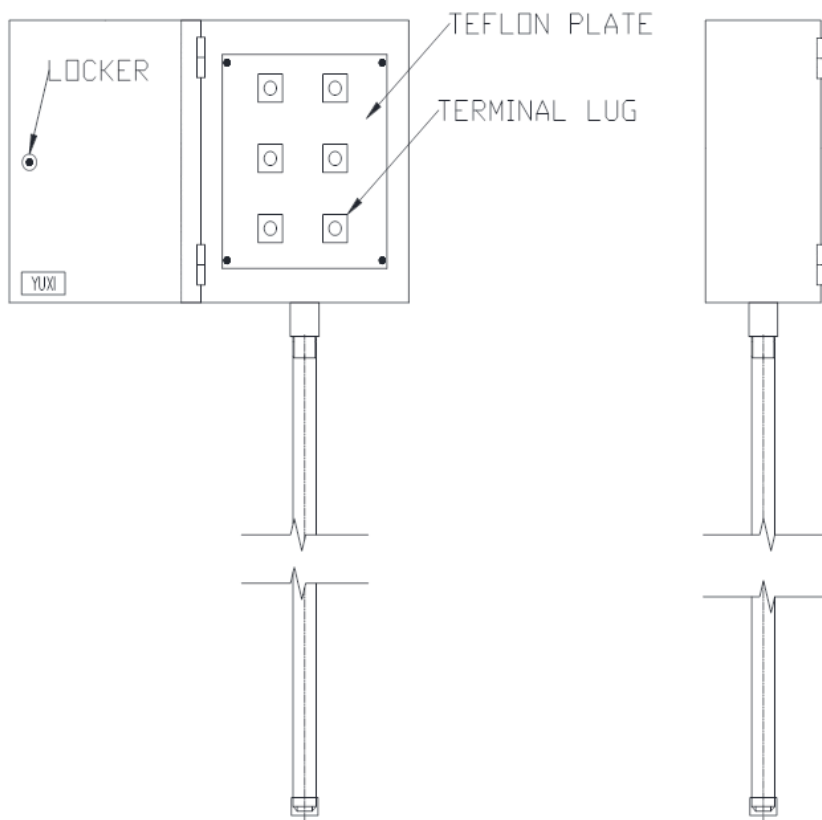
CAST IRON TEST STATION

Diameter	76.2mm/3", 102mm/4"
Height	1500-3000mm
Terminal	Up to 10 nos
Color	Orange/Gray/White/Red/Blue
Door Locker	Available



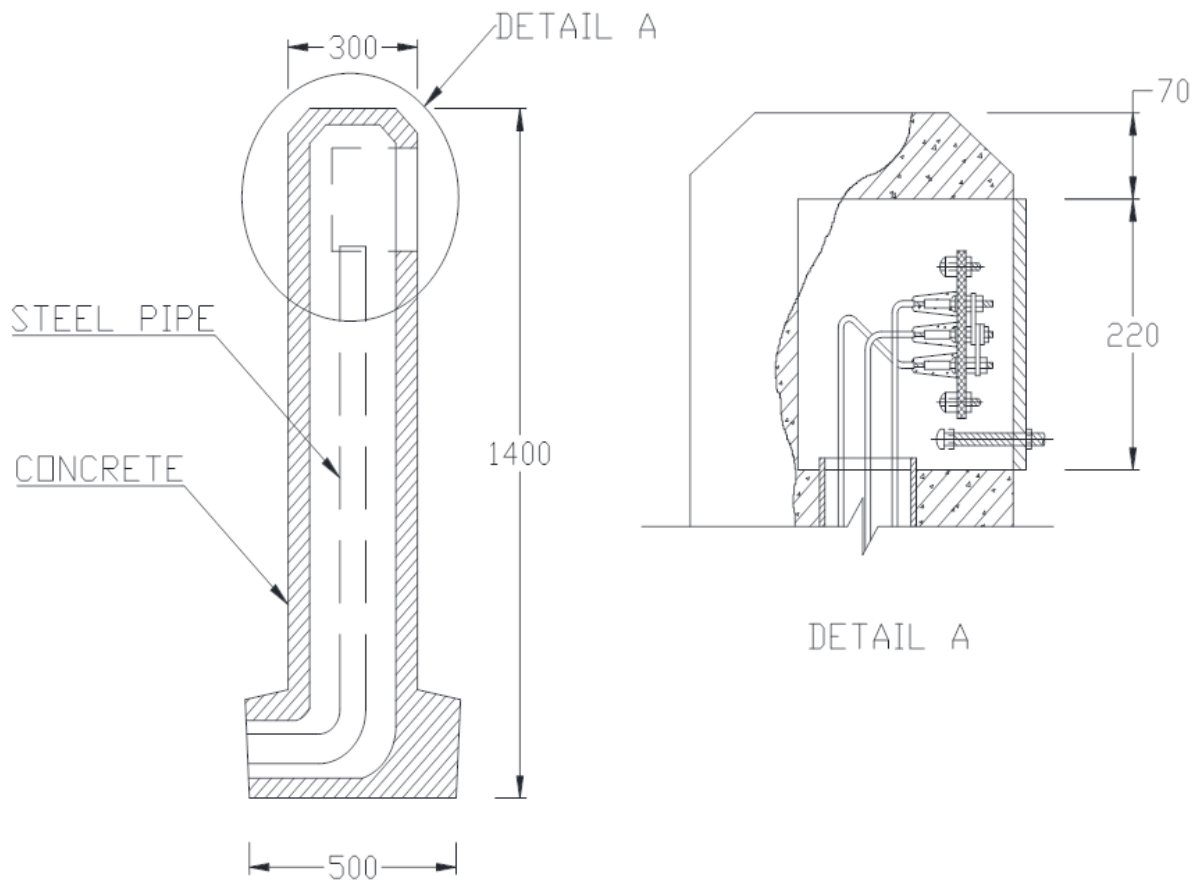
SHEET STEEL TEST STATION

Terminal Box	400x250x150mm"
Conduit	50mm Dia. x 1500mm
Terminal	Up to 10 nos
Color	Orange/Gray/White/Red/Blue
Door Locker	Available



CONCRETE TEST STATION

Height	1400mm
Width	500mm
Terminal	Up to 10 nos
Color	Light Gray
Door Locker	Available



MOLDED PLASTIC TEST STATION

Diameter	50mm/2"
Height	1500-3000mm
Terminal	Up to 10 nos
Color	Orange/Gray/White/Red/Blue
Door Locker	N/A

